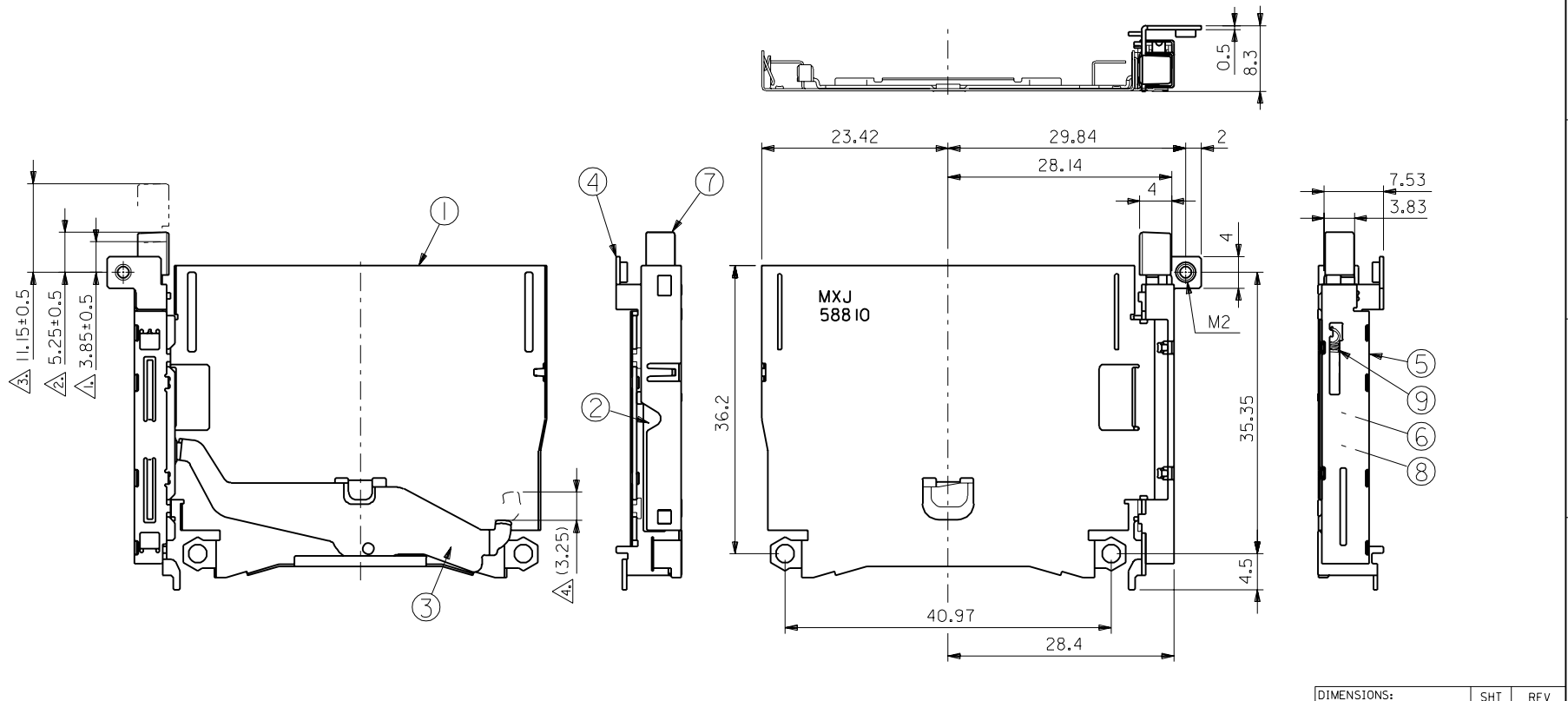


DWG. NO. SD-55364-002

注) NOTES
 △1 ボタン・フルストローク位置。
 BUTTON'S FULL STROKE POSITION.
 △2 ボタン収納時位置。
 BUTTON'S IN POSITION.
 △3 ボタン突出時位置。
 BUTTON'S OUT POSITION.
 △4 イジェクト時、カード飛び出し量は(3.25)mm。
 IN EJECTING OPERATION, CARD OUT BY (3.25)mm.



DO NOT SCALE DRAWING

EC NO. DRWN: CHK: APPR:	EC NO. DRWN: CHK: APPR:	EC NO. DRWN: CHK: APPR:	EC NO. DRWN: CHK: APPR:	RELEASED EC NO. JD90381 DRWN: THIRATA '98/09/09 CHK: MSASAO '98/09/08 APPR: HIKESUGI '98/09/09	MATERIAL 材料	GENERAL TOLERANCES: (UNLESS SPECIFIED) 一般公差	SCALE 2 - 1	DESIGN UNITS <input checked="" type="checkbox"/> mm <input type="checkbox"/> INCH	DIMENSIONS: <input type="checkbox"/> mm <input type="checkbox"/> INCH <input checked="" type="checkbox"/> mm ONLY		SHT	REV
					SEE NOTES	10 UNDER 未満	+0.2	DRAWN BY & DATE <i>T. Hirata</i> '98/09/09	THIRD ANGLE PROJECTION		TITLE: CF CARD CONN. EJECT MECHANISM EJECT ASS'Y	REVISE ON CAD ONLY
EC NO. DRWN: CHK: APPR:	EC NO. DRWN: CHK: APPR:	EC NO. DRWN: CHK: APPR:	EC NO. DRWN: CHK: APPR:	0	FINISH 仕上り	10 OVER 以上	+0.25	CHECKED BY & DATE <i>H. Sano</i> '98/09/09	MATERIAL NO. MOLEX INCORPORATED		SHEET NO. 1 OF 2	
					SEE NOTES	30 UNDER 未満		APPROVED BY & DATE <i>H. Sano</i> '98/09/09	DRAWING NO. SD-55364-002	SIZE B		
REV					WIRE RANGE 適用線径範囲	ANGLE 角度	+3°	CAD FILENAME 55364002.S01	DRAWING NO. 55364-0011	SHEET NO. 1 OF 2		
INS. RANGE 被覆外径					THIS DRAWING CONTAINS INFORMATION THAT IS PROPRIETARY TO MOLEX INCORPORATED AND SHOULD NOT BE USED WITHOUT WRITTEN PERMISSION.							

DWG. NO. SD-55364-002

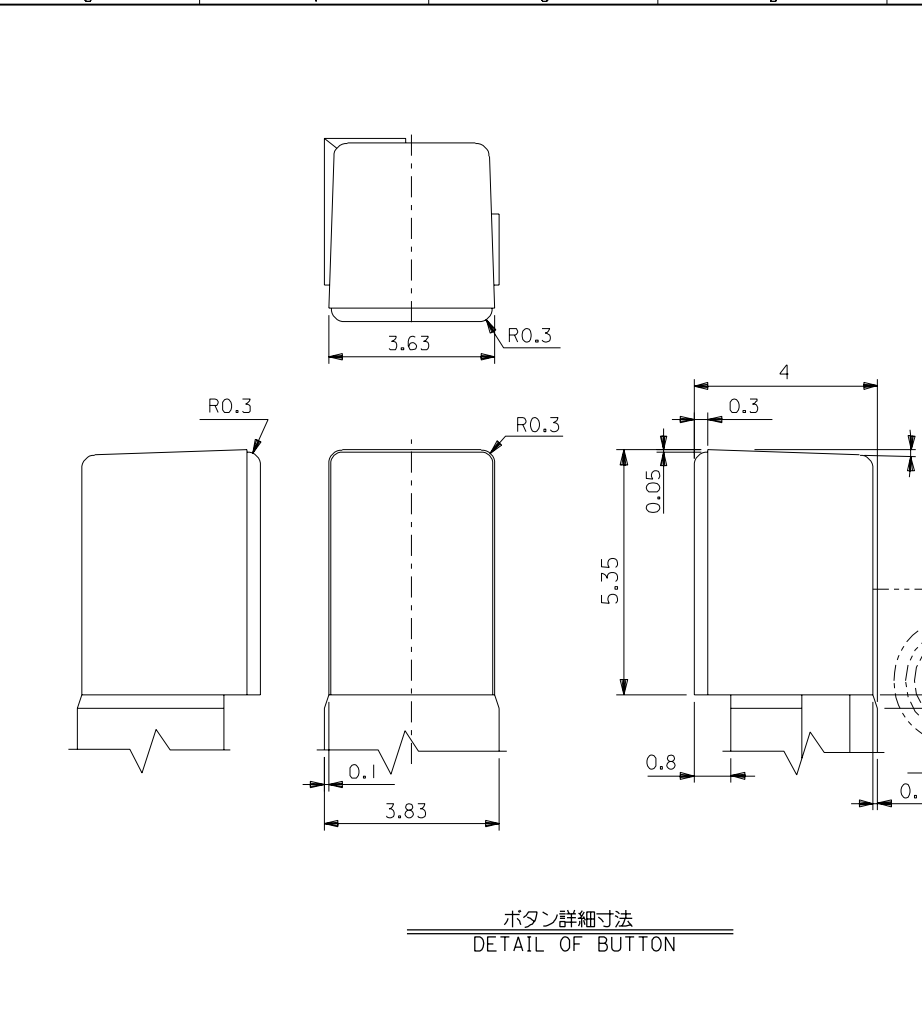
E

D

C

B

DO NOT SCALE DRAWING



ボタン詳細寸法
DETAIL OF BUTTON

No.	品名 NAME	材料 MATERIAL	仕上り FINISH	個数 PIECE
1	METAL SHELL	ステンレス鋼 t 0.25 STAINLESS STEEL t 0.25	—	1
2	PUSH ROD	ステンレス鋼 t 0.5 STAINLESS STEEL t 0.5	—	1
3	LEVER	ステンレス鋼 t 0.4 STAINLESS STEEL t 0.4	—	1
4	SIDE PLATE	ステンレス鋼 t 0.5 STAINLESS STEEL t 0.5	—	1
5	SIDE COVER	ステンレス鋼 t 0.25 STAINLESS STEEL t 0.25	—	1
6	PIN PLATE	鋼 STEEL	フッ素樹脂コーティング FLUORINE RESIN COATING	1
7	SLIDER	ポリカーボネート UL94V-0 色 :黒色 POLYCARBONATE UL94V-0 COLOR:BLACK	—	1
8	HEART CAM	ポリカーボネート UL94V-0 色 :黒色 POLYCARBONATE UL94V-0 COLOR:BLACK	—	1
9	COIL SPRING	ステンレス鋼 φ 0.22 STAINLESS STEEL φ 0.22	—	1

F

E

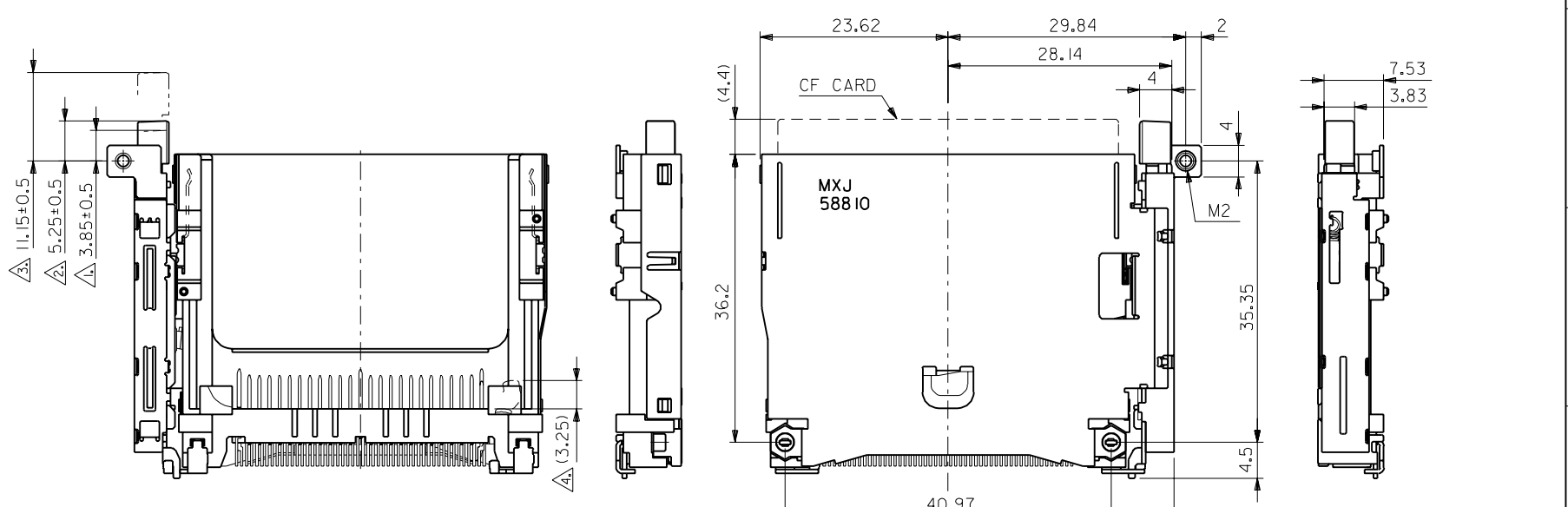
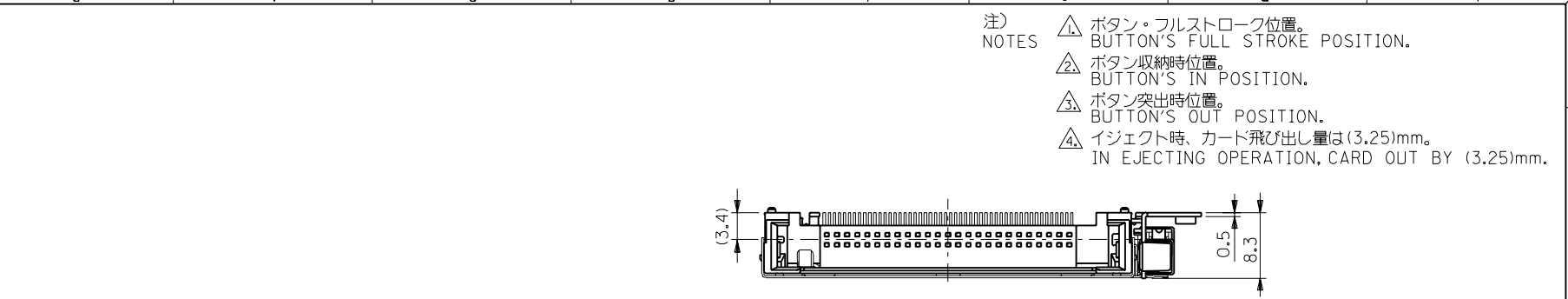
D

C

B

A

EC NO. DRWN: CHK: APPR:	EC NO. DRWN: CHK: APPR:	EC NO. DRWN: CHK: APPR:	EC NO. DRWN: CHK: APPR:	EC NO. DRWN: CHK: APPR:	EC NO. DRWN: CHK: APPR:	REV DESCRIPTION	MATERIAL 材料	GENERAL TOLERANCES: (UNLESS SPECIFIED) 一般公差	SCALE 2 - 1	DESIGN UNITS <input checked="" type="checkbox"/> mm <input type="checkbox"/> INCH	THIRD ANGLE PROJECTION	DIMENSIONS: <input type="checkbox"/> mm <input type="checkbox"/> INCH <input checked="" type="checkbox"/> mm ONLY	SHT REV
					0	SEE NOTES	SEE NOTES	10 UNDER 未満	+0.2	DRAWN BY & DATE <i>T. Kizuta</i> '98/09/09	TITLE: CF CARD CONN. EJECT MECHANISM EJECT ASS'Y	MOLEX INCORPORATED	
						FINISH 仕上げ	SEE NOTES	10 OVER 以上	+0.25	CHECKED BY & DATE <i>H. Saito</i> '98/09/09			
						WIRE RANGE 通所電線範囲	—	30 OVER 以上	+0.3	APPROVED BY & DATE <i>H. Saito</i> '98/09/09			
						INS. RANGE 被覆外径	—	ANGLE 角度	+3°	CAD FILENAME 55364002.S02	MATERIAL NO. 55364-0011	DRAWING NO. SD-55364-002	SHEET NO. 2
THIS DRAWING CONTAINS INFORMATION THAT IS PROPRIETARY TO MOLEX INCORPORATED AND SHOULD NOT BE USED WITHOUT WRITTEN PERMISSION.											SIZE B		

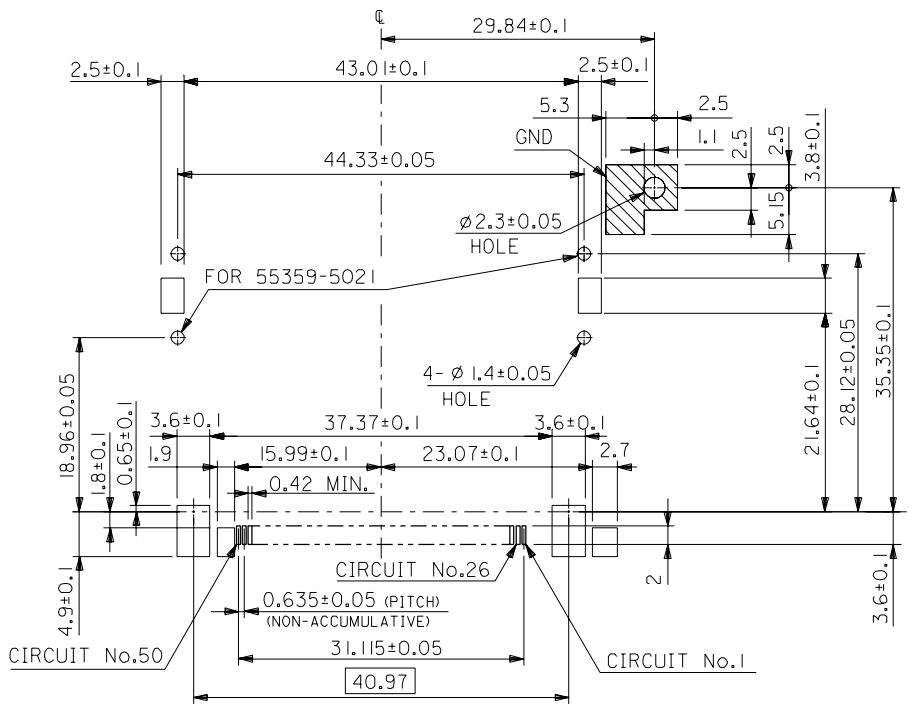
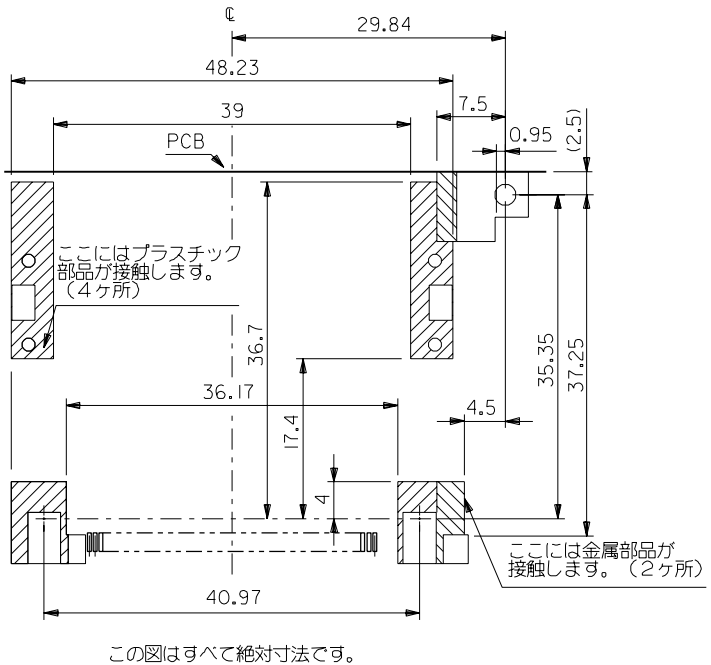


注) NOTES

- △1 ボタン・フルストローク位置。
BUTTON'S FULL STROKE POSITION.
- △2 ボタン収納時位置。
BUTTON'S IN POSITION.
- △3 ボタン突出時位置。
BUTTON'S OUT POSITION.
- △4 イジェクト時、カード飛び出し量は(3.25)mm。
IN EJECTING OPERATION, CARD OUT BY (3.25)mm.

EJECT ASS'Y	55364-0011
HEADER ASS'Y	55358-5021
MATERIAL No.	

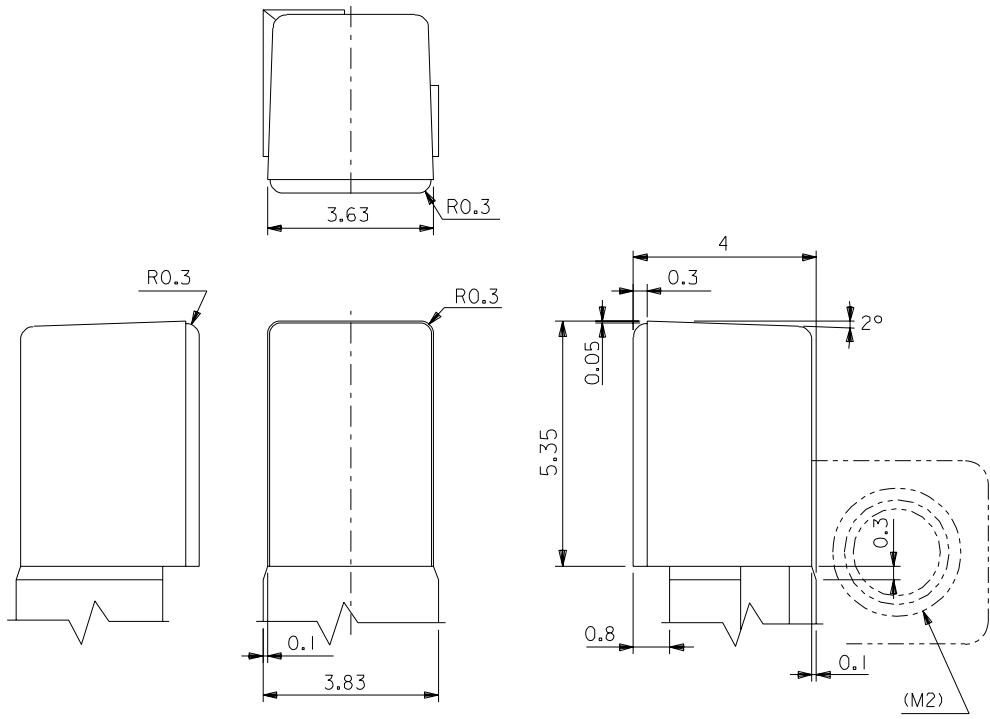
DO NOT SCALE DRAWING	EC NO. DRWN: CHK: APPR:	EC NO. DRWN: CHK: APPR:	REVISED EC NO. JD2000-1126 DRWN: THIRATA '99/07/31 CHK: MSASAO '99/07/31 APPR: HIKESUGI '99/07/31	REVISED EC NO. JD00137 DRWN: THIRATA '99/07/31 CHK: MSASAO '99/07/31 APPR: HIKESUGI '99/07/31	RELEASED EC NO. JD90360 DRWN: THIRATA '98/09/08 CHK: MSASAO '98/09/08 APPR: HIKESUGI '98/09/08	REV DESCRIPTION	MATERIAL 材料	GENERAL TOLERANCES: (UNLESS SPECIFIED) 一般公差	SCALE 2 - 1 <input checked="" type="checkbox"/> mm <input type="checkbox"/> INCH	DESIGN UNITS <input checked="" type="checkbox"/> mm <input type="checkbox"/> INCH	THIRD ANGLE PROJECTION	DIMENSIONS: <input type="checkbox"/> mm <input type="checkbox"/> INCH <input checked="" type="checkbox"/> mm ONLY	SHT	REV
							FINISH 仕上り							
							WIRE RANGE 通所面積線形	10 OVER 以上	30 UNDER 未満	+0.25	CHECKED BY & DATE <i>H. Saito</i> '98/09/08			
							INS. RANGE 被覆外径	30 OVER 以上		+0.3	APPROVED BY & DATE <i>H. Saito</i> '98/09/08			
								ANGLE 角度		+3°	CAD FILENAME 55364003.S01	MATERIAL NO. SEE TABLE	DRAWING NO. SD-55364-003	SHEET NO. 1 OF 3
											THIS DRAWING CONTAINS INFORMATION THAT IS PROPRIETARY TO MOLEX INCORPORATED AND SHOULD NOT BE USED WITHOUT WRITTEN PERMISSION.			SIZE B



基板推奨寸法
RECOMMENDED P.C.B. LAYOUT

DO NOT SCALE DRAWING

EC NO. DRWN: CHK: APPR:	EC NO. DRWN: CHK: APPR:	EC NO. DRWN: CHK: APPR:	EC NO. DRWN: CHK: APPR:	EC NO. DRWN: CHK: APPR:	REV	MATERIAL 材料	GENERAL TOLERANCES: (UNLESS SPECIFIED) 一般公差	SCALE 2 - 1	DESIGN UNITS <input checked="" type="checkbox"/> mm <input type="checkbox"/> INCH	DIMENSIONS: <input type="checkbox"/> mm <input type="checkbox"/> INCH <input checked="" type="checkbox"/> mm ONLY		SHT	REV
					1 OF 3		10 UNDER 未満	±0.2	DRAWN BY & DATE <i>T. Kizata</i> '98/09/08	THIRD ANGLE PROJECTION			
						FINISH 仕上り	10 OVER 以上	±0.25	CHECKED BY & DATE <i>H. Sano</i> '98/09/08	TITLE: CF CARD CONN. EJECT MECHANISM (TYPE I/II, NORMAL)			
						WIRE RANGE 適用線径範囲	30 UNDER 未満	±0.3	APPROVED BY & DATE <i>H. Sano</i> '98/09/08	MOLEX INCORPORATED			
						INS. RANGE 被覆外径	30 OVER 以上	±3°	CAD FILENAME 55364003.S02	MATERIAL NO. —	DRAWING NO. SD-55364-003	SHEET NO. 2	SIZE B



ボタン詳細寸法
DETAIL OF BUTTON

DO NOT SCALE DRAWING

EC NO. DRWN: CHK: APPR:	EC NO. DRWN: CHK: APPR:	EC NO. DRWN: CHK: APPR:	EC NO. DRWN: CHK: APPR:	EC NO. DRWN: CHK: APPR:	REV DESCRIPTION	MATERIAL 材料	GENERAL TOLERANCES: (UNLESS SPECIFIED) 一般公差	SCALE 10-1	DESIGN UNITS <input checked="" type="checkbox"/> mm <input type="checkbox"/> INCH	DIMENSIONS: <input type="checkbox"/> mm <input type="checkbox"/> INCH <input checked="" type="checkbox"/> mm ONLY	SHT REV		
					FINISH 仕上り		10 UNDER 未満	+0.2	DRAWN BY & DATE <i>T. Kizata</i> '98/09/08	THIRD ANGLE PROJECTION	TITLE: CF CARD CONN. EJECT MECHANISM (TYPE I/II, NORMAL)		
					WIRE RANGE 適用電線範囲		10 OVER 以上	30 UNDER 未満	+0.25			CHECKED BY & DATE <i>H. Saito</i> '98/09/08	
					INS. RANGE 被覆外径		30 OVER 以上		+0.3			APPROVED BY & DATE <i>H. Saito</i> '98/09/08	
							ANGLE 角度		+3°	CAD FILENAME 55364003.S03	MATERIAL NO. —	DRAWING NO. SD-55364-003	SHEET NO. 3
THIS DRAWING CONTAINS INFORMATION THAT IS PROPRIETARY TO MOLEX INCORPORATED AND SHOULD NOT BE USED WITHOUT WRITTEN PERMISSION.										SIZE B			